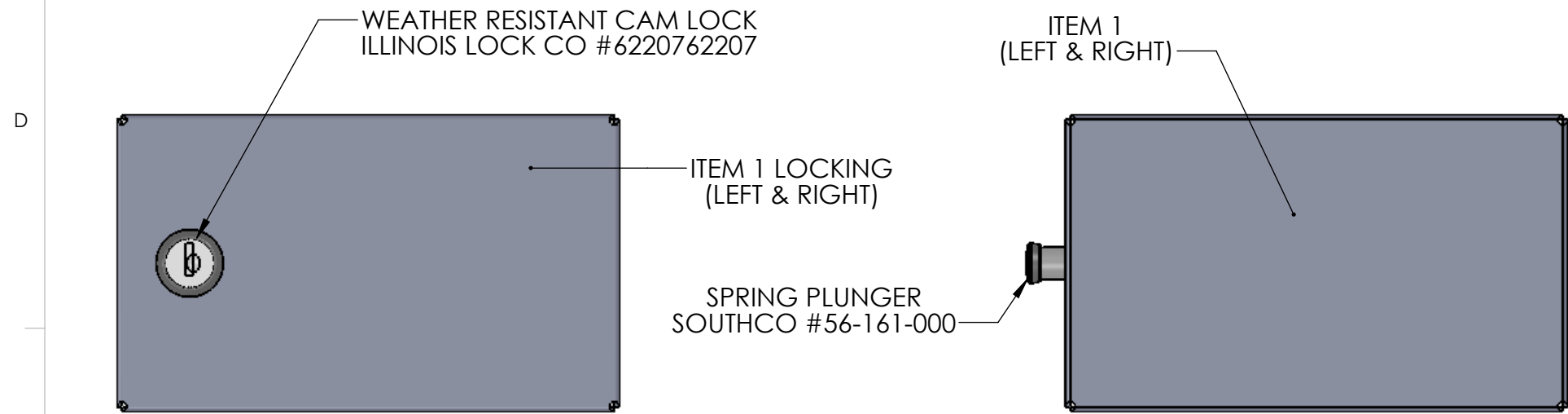


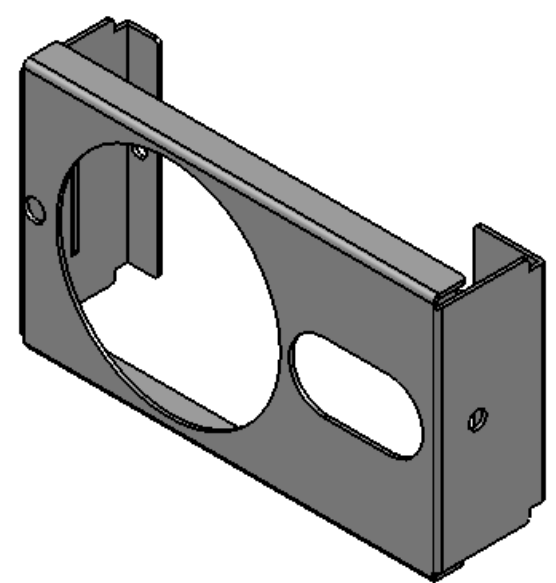
8 7 6 5 4 3 2 1

REV	DESCRIPTION	APPROVAL	DATE
A	SEE PART DRAWINGS		08/08/14





LOCKING

NO LOCK

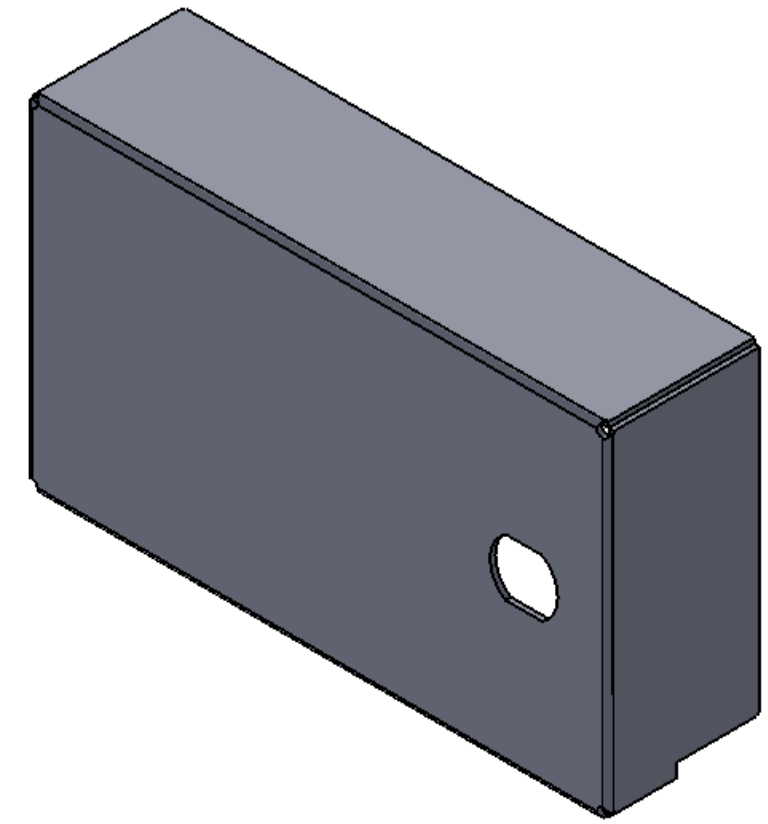


ITEM 2 - TYPICAL

UNLESS OTHERWISE SPECIFIED:		NAME	DATE	 ADVANTAGE METAL PRODUCTS
DIMENSIONS ARE IN INCHES TOLERANCES:		DRAWN	P. CULLEN	
ANGLES: ± 1°		CHECKED		TITLE: SWITCH COVERS LOCKING AND NO LOCK
DECIMALS: .XX ± .02		ENG APPR.		
.XXX ± .005		MFG APPR.		
INTERPRET GEOMETRIC TOLERANCING PER: ANSI STD Y14.5		Q.A.		SIZE DWG. NO. B SWITCH COVER VERSIONS
MATERIAL		COMMENTS:		
FINISH		 THIRD ANGLE PROJECTION		REV A
NEXT ASSY	USED ON	DO NOT SCALE DRAWING		SCALE: 1:2 WEIGHT: SHEET 1 OF 1

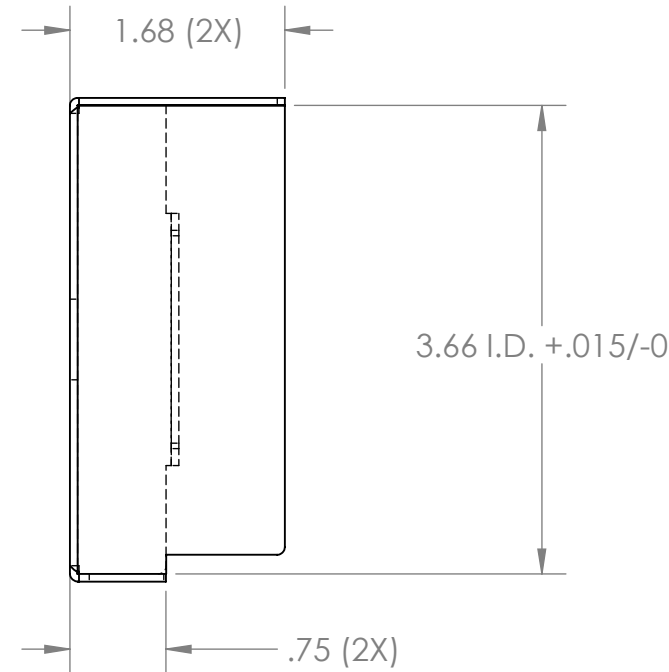
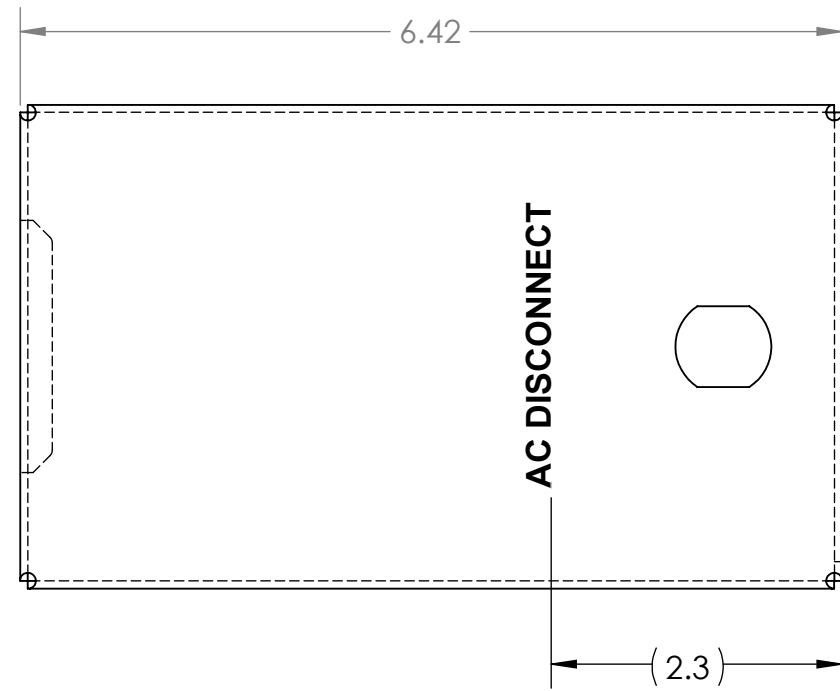
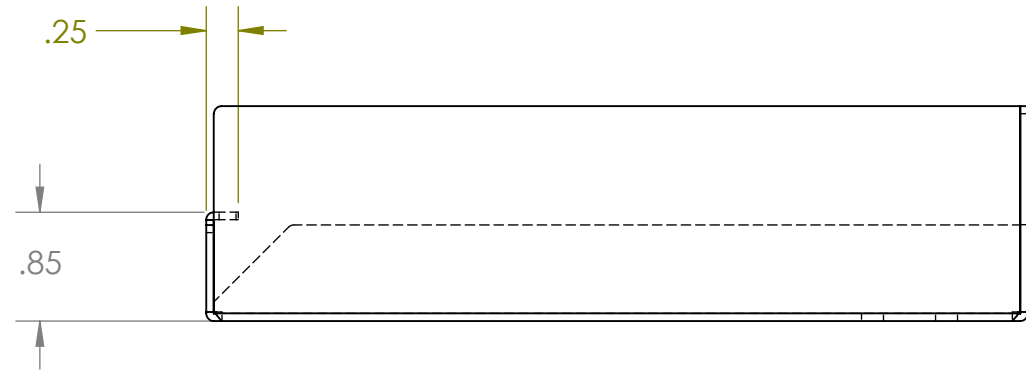
8 7 6 5 4 3 2 1

REV	DESCRIPTION	APPROVAL	DATE
A	ADDED CHAMFERS AND RADII		08/08/14



R - 1/32 K - .095

RH - SHOWN
LH - OPPOSITE

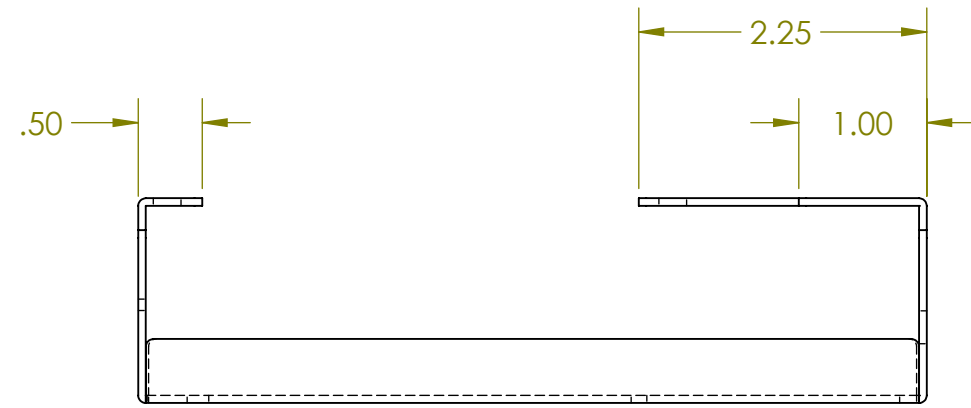


PAINT = SPRAYLAT PEB-18994, ANODIZED ALUMINUM

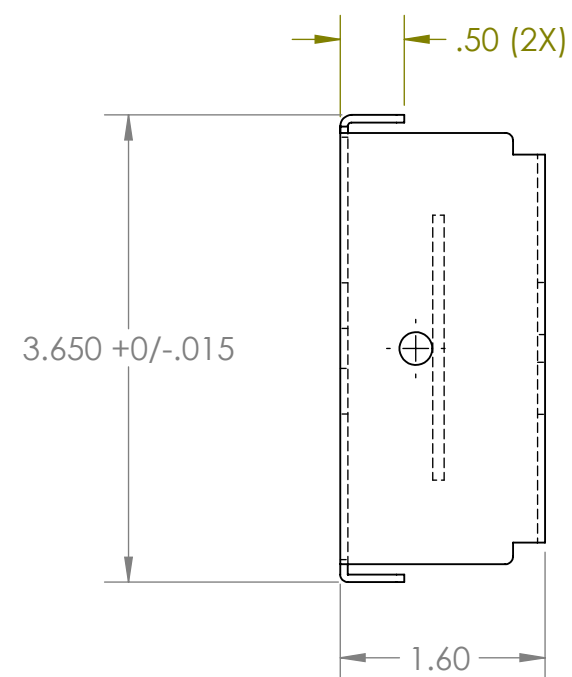
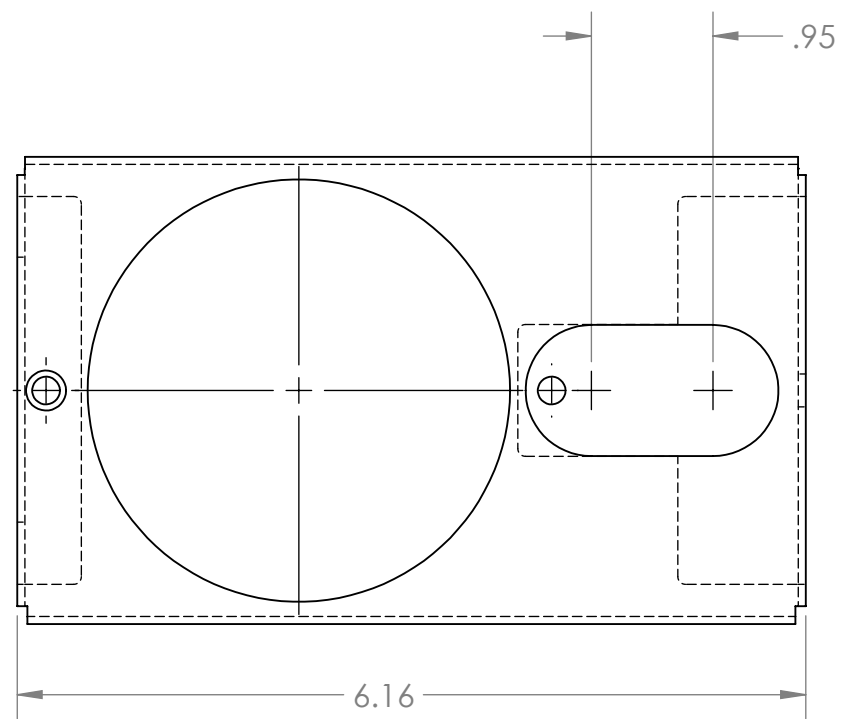
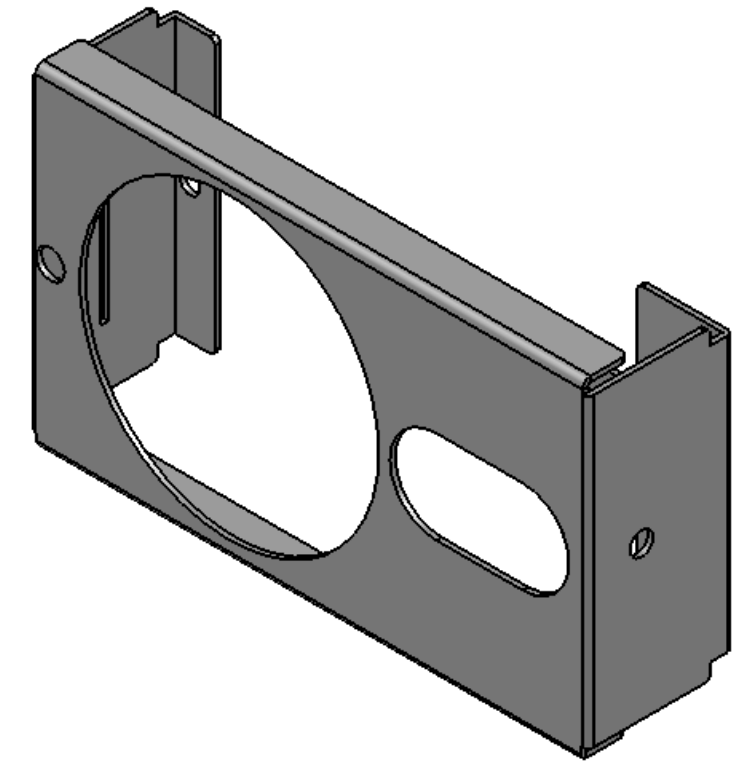
SILKSCREEN = 1/8" ARIAL BLACK
TEXT: RH = AC DISCONNECT (SHOWN)
LH = DC DISCONNECT

UNLESS OTHERWISE SPECIFIED:		NAME	DATE	AMP ADVANTAGE METAL PRODUCTS
DIMENSIONS ARE IN INCHES TOLERANCES:		DRAWN	P. CULLEN	
ANGLES: ± 1° DECIMALS: .XX ± .02 .XXX ± .005		CHECKED		TITLE:
INTERPRET GEOMETRIC TOLERANCING PER: ANSI STD Y14.5		ENG APPR.		SWITCH COVER LOCKING
MATERIAL		MFG APPR.		SIZE
FINISH		Q.A.		B
DO NOT SCALE DRAWING		COMMENTS:		DWG. NO.
APPLICATION	USED ON	THIRD ANGLE PROJECTION		ITEM 1 LOCKING
		SCALE: 1:2	WEIGHT:	REV
		SHEET 1 OF 1		A

REV	DESCRIPTION	APPROVAL	DATE
A	INCREASED SLOT LENGTH, ADDED CORNER RADII, TEXT LOCATION		08/08/14





R - 1/32 K - .095



SEE SHEET 2 FOR SILKSCREEN DETAIL

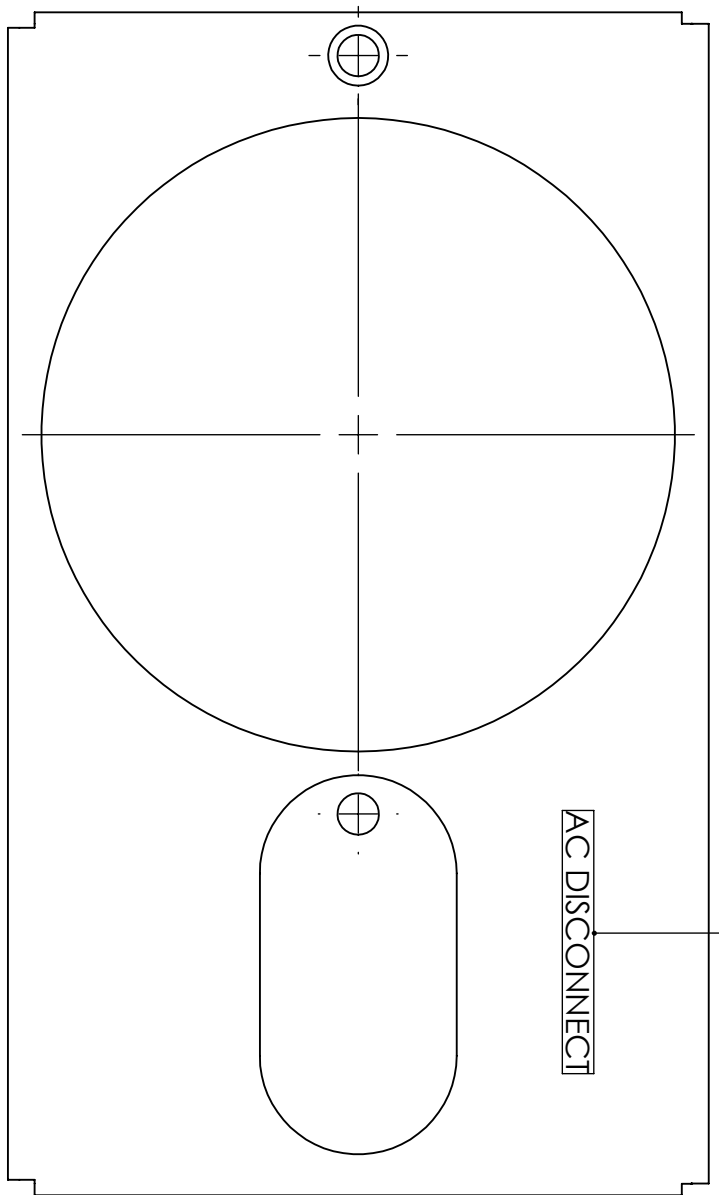
PAINT = SPRAYLAT PEB-18994, ANODIZED ALUMINUM

UNLESS OTHERWISE SPECIFIED:		NAME	DATE	 ADVANTAGE METAL PRODUCTS
DIMENSIONS ARE IN INCHES TOLERANCES:		DRAWN	P. CULLEN	
ANGLES: ± 1° DECIMALS: .XX ± .02 .XXX ± .005		CHECKED		TITLE:
INTERPRET GEOMETRIC TOLERANCING PER: ANSI STD Y14.5		ENG APPR.		SWITCH COVER BASE
MATERIAL		MFG APPR.		
FINISH		Q.A.		SCALE: 1:1 WEIGHT: SHEET 1 OF 2
DO NOT SCALE DRAWING		COMMENTS:		
NEXT ASSY	USED ON			

APPLICATION	DO NOT SCALE DRAWING
-------------	----------------------

8 7 6 5 4 3 2 1

REV	DESCRIPTION	APPROVAL	DATE





RH VERSION: AC DISCONNECT (SHOWN)
LH VERSION: DC DISCONNECT

FONT = ARIAL
 SIZE = 1/8"
 COLOR: BLACK

APPROXIMATE LOCATION

D
C
B
A

D
C
B
A

UNLESS OTHERWISE SPECIFIED:		NAME	DATE	 ADVANTAGE METAL PRODUCTS
DIMENSIONS ARE IN INCHES TOLERANCES:		DRAWN	P. CULLEN	
ANGLES: ± 1° DECIMALS: .XX ± .02 .XXX ± .005		CHECKED		TITLE:
INTERPRET GEOMETRIC TOLERANCING PER: ANSI STD Y14.5		ENG APPR.		SILKSCREEN DETAIL
MATERIAL		MFG APPR.		
FINISH		Q.A.		B
APPLICATION	DO NOT SCALE DRAWING	COMMENTS:		DWG. NO.
NEXT ASSY	USED ON			ITEM 2 LOCKING
				REV
				A
				SCALE: 1:1
				WEIGHT:
				SHEET 2 OF 2

8 7 6 5 4 3 2 1