

CPS Accessory: Shade Cover Datasheet

for CPS Three-phase String Inverters



Protection from Harsh Conditions

Shade covers provide added protection for inverters against harsh environmental conditions like direct sunlight, snow, sleet, ice, hail, and reduce soiling from dust and birds. Protect your inverter for many years.

Increased Energy Production

Depending on the application and environment, shade covers will help to increase energy production by reducing potential power derating due to excessive ambient temperatures. Inverters derate in extreme temperatures in order to protect themselves from over temperature conditions.

15% Lower Operating Temperatures

Field testing at PVEL showed up to 15% reduction in operating temperatures of inverters with shade covers installed in direct sunlight.

Reduce Tampering

Shade covers can also serve to deter tampering in public places.

CPS Accessory Warranty

Covered under the 2 year CPS Accessory Warranty.

Easy
to install



50/60kW Inverter with Shade Cover



Performance Evaluations

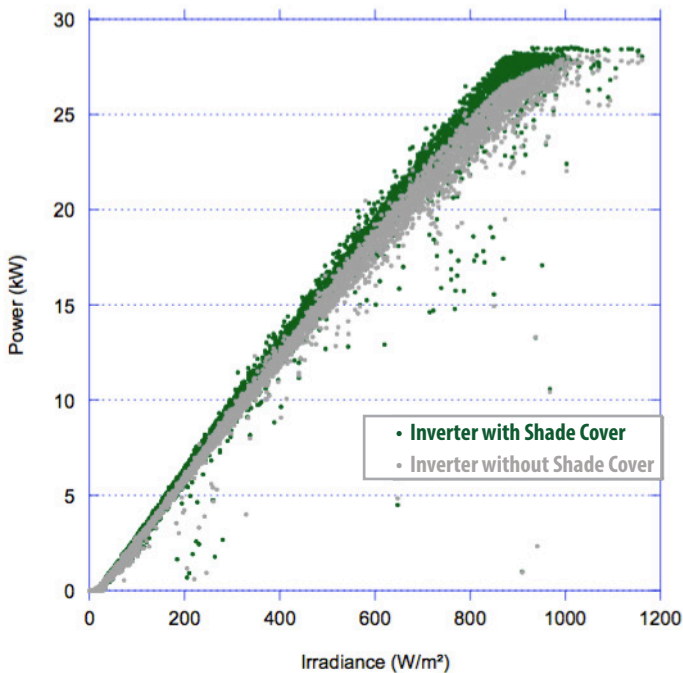


Figure 3 Plot of AC output power versus irradiance for both inverters over the Test Period

©CHINT POWER 2017/06-MKT

UPDATED: JUNE 29, 2017

4
fasteners



Easily Access LED Screen & Controls

Easily Access Wire Box with Shade Cover On



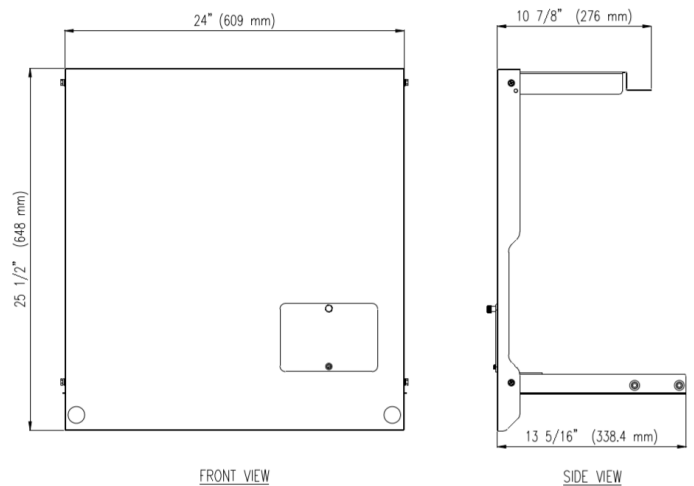
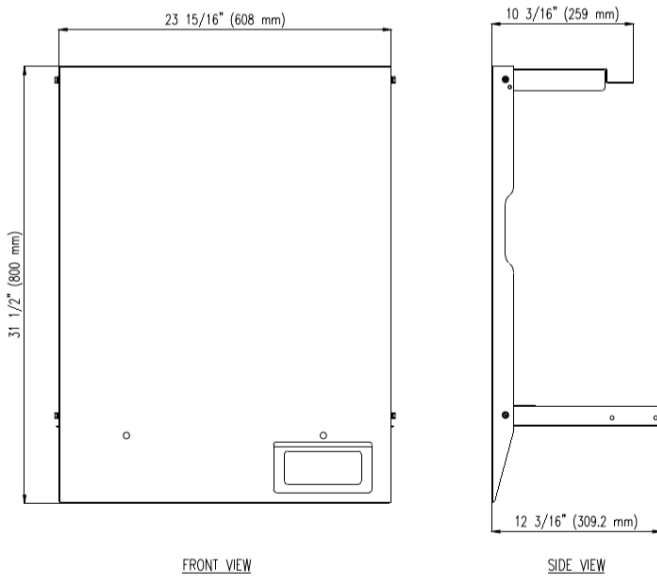
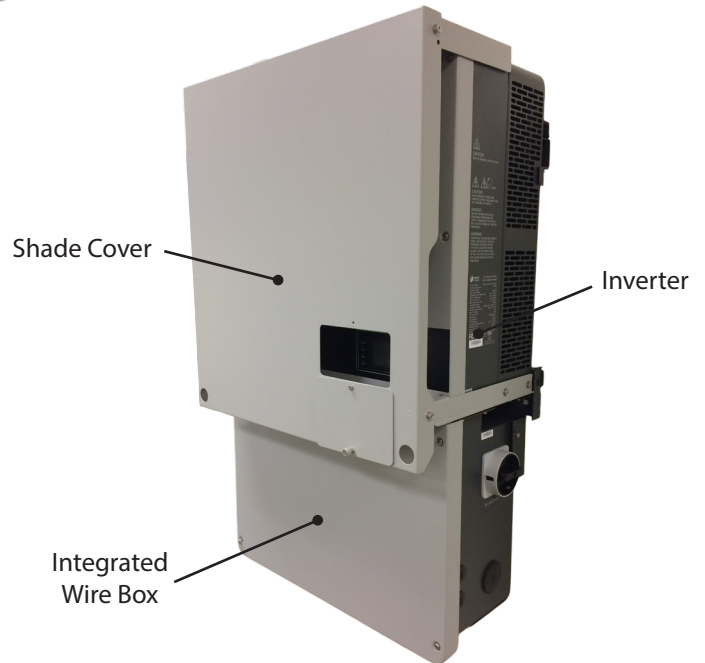
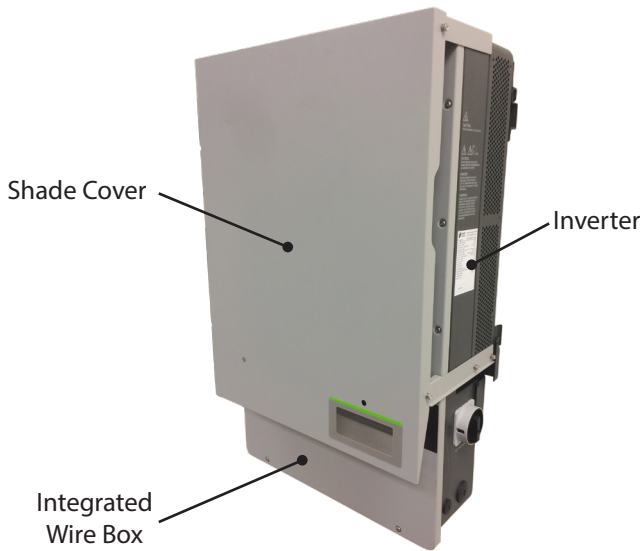
2
MODELS

Model SHADE-23/28/36-US

Fits CPS Inverters 23/28/36kW

Model SHADE-50/60-US

Fits CPS Inverters 50/60kW

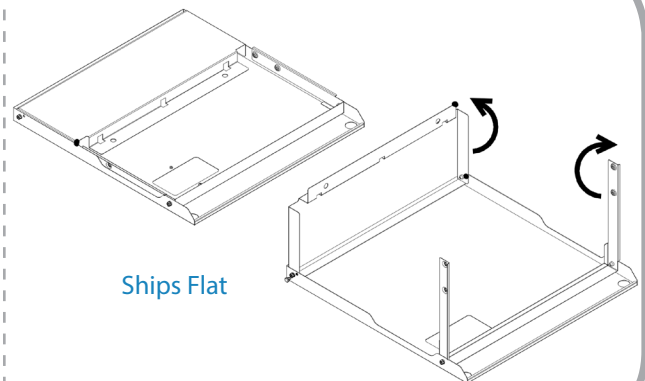


Optional for Vertical Installations

- Shade covers are optional for CPS inverters installed vertically*
- For example, a wall or pile-mounted inverter installed in direct sunlight would not require a shade cover

Required for Angled Installations

- Shade covers are required for CPS inverters installed at an angle and in direct sunlight*
- For example, a CPS inverter installed on a 15° tilted rack in direct sunlight would require a shade cover.



*Refer to inverter manual for details or contact the CPS team