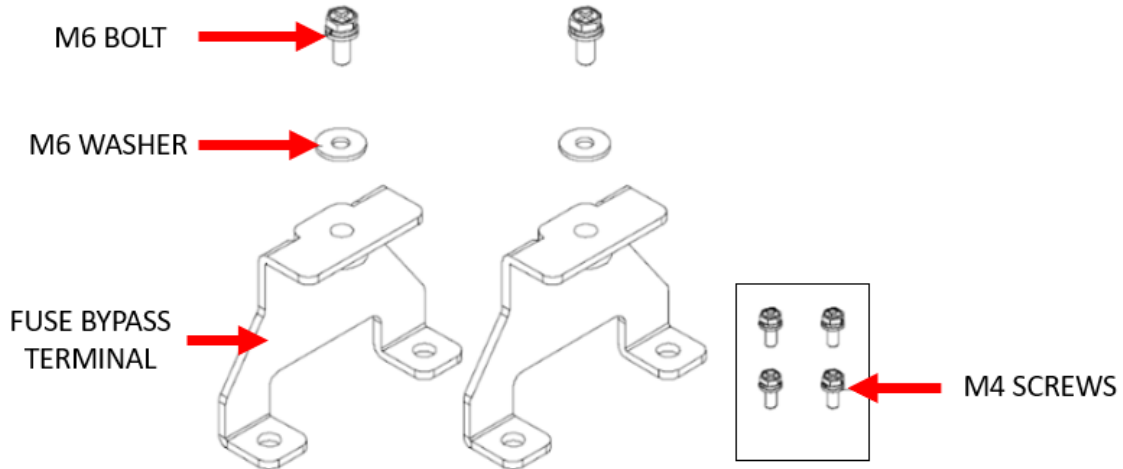


CPS Accessory: Fuse Bypass Terminals for CPS Three-phase String Inverters



Fuse Bypass Terminal Kit Contents

Bypass Terminal Kit	Conductor Termination	Wire Range	Wire Type	Min Torque
23/28/36kW	M6 Machine Screw	#10 - #1AWG	AL/CU	6.0N.m (53.1 lbf-in)
50/60kW	M6 Machine Screw	#10 - #1AWG	AL/CU	6.0N.m (53.1 lbf-in)
ALL	M4 Machine Screw	N/A	N/A	2.7N.m (24.0 lbf-in)

Key Features

- Allows external PV string combining
- Larger single conductors terminated at each MPPT
- Reduced number of homeruns

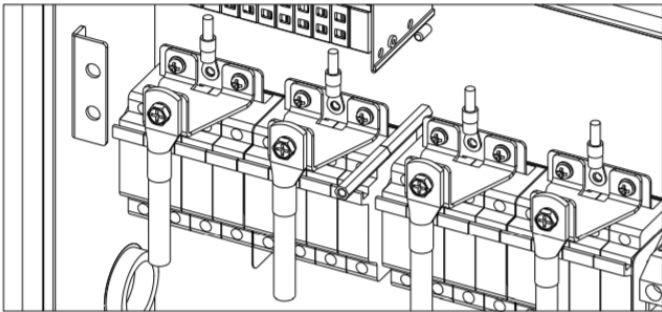
Model 23/28/36kW BYPASS TERMINALS

For CPS Inverters 23/28/36kW

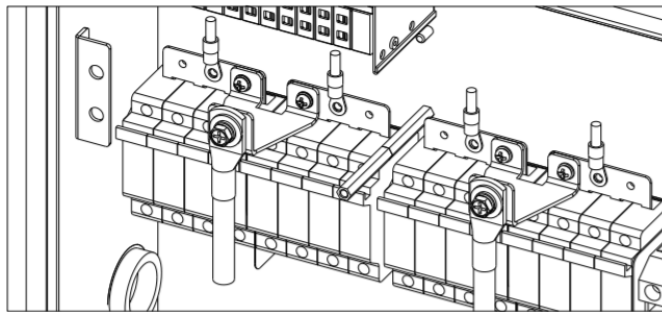
CPS Product Code 1.0107.0052

Kit Contents:

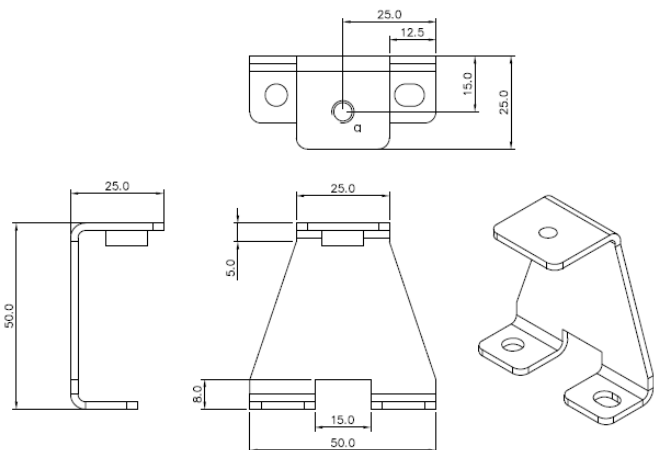
- (4) Bypass Terminals per set
- (4) M6 Bolts
- (4) M6 Washers
- (8) M4 Screws



Bypass Terminal Installed in 23-36kW Inverter (Independent Mode)



Bypass Terminal Installed in 23-36kW Inverter (Parallel Mode)



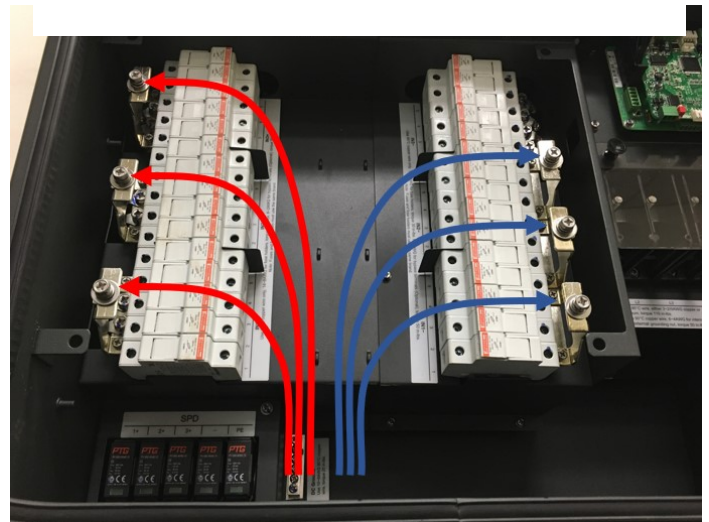
Model 50/60kW BYPASS TERMINALS

For CPS Inverters 50/60kW

CPS Product Code 1.0107.0131

Kit Contents:

- (6) Bypass Terminals per set
- (6) M6 Bolts
- (6) M6 Washers
- (12) M4 Screws



Bypass Terminal Installed in 50/60kW Inverter

