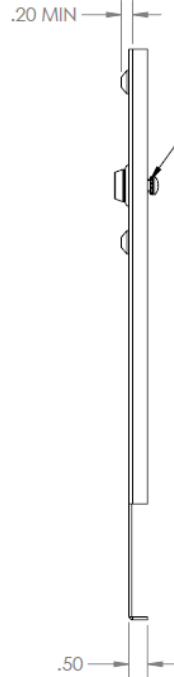
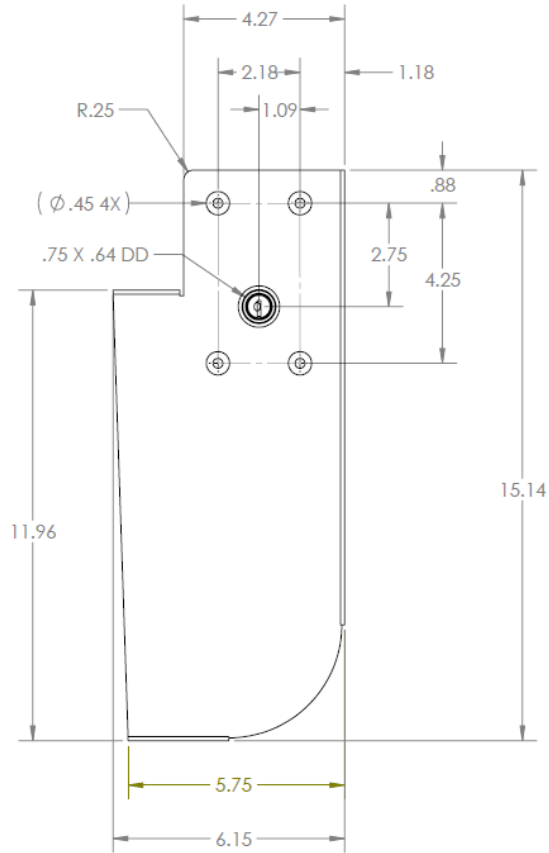


Right side shown; Left side is mirror/reverse image design for dual switch inverter

NOTES:
1) FINISH WILL BE POWDER COAT SPRAYLAT PEB-18994, ANODIZED ALUMINUM

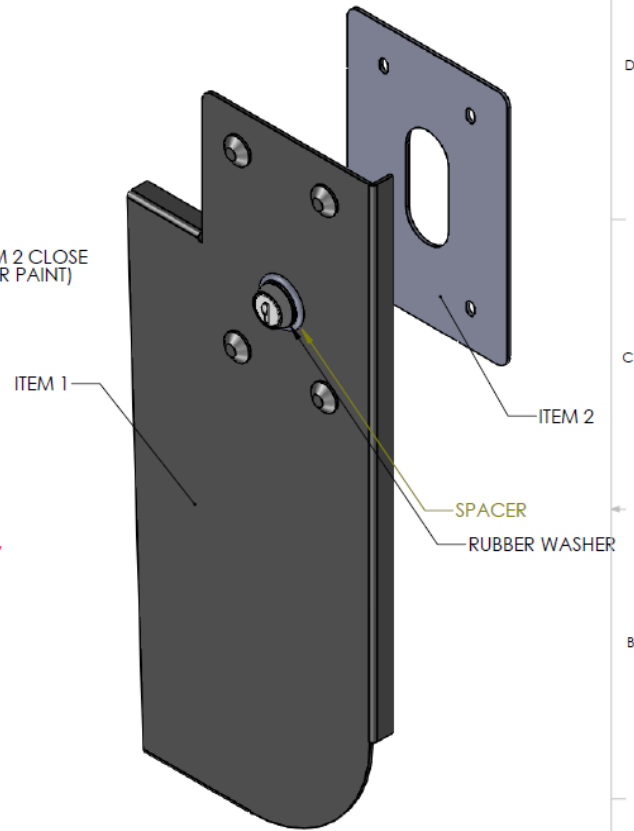
REV	DESCRIPTION	APPROVAL	DATE

D
C
B
A



CAM LOCK SHOULD HOLD ITEM 2 CLOSE
(APPROX .020 GAP MAX AFTER PAINT)

R - 1/32 K - .117



RIGHT HAND SHOWN - LEFT HAND OPPOSITE

UNLESS OTHERWISE SPECIFIED:	DRAWN	NAME	DATE
DIMENSIONS ARE IN INCHES	CHECKED	F. CULLEN	-/-/-
TOLERANCES:	BNG APPR.		
ANGLES: ± 1°	MFG APPR.		
DECIMALS: .XX ± .02	Q.A.		
.XXX ± .005	COMMENTS:		
INTERPRET GEOMETRIC TOLERANCING PER: ANSI STD Y14.5			
MATERIAL			
.074 CRS			
FINISH			
SEE NOTES			
APPLICATION			
DO NOT SCALE DRAWING			

ADVANTAGE METAL PRODUCTS		
TITLE:		
INVERTER COVER		
SIZE	DWG. NO.	REV
B	COVER	-
SCALE: 1:4	WEIGHT:	SHEET 1 OF 2

D
C
B
A