

Chint Power Systems America
6800 Koll Center Parkway Suite 235
Pleasanton, CA 94566

Chint Power Systems Customers
CPS 100/125kW Inverter Users

September 15, 2020

SERVICE BULLETIN

CPS 100/125kW Wire-box Enclosure Torque Check – ACTION REQUIRED

This bulletin is to highlight an important topic in the CPS 100/125kW product user manual. **CPS recommends checking to make sure all 100/125kW inverter wire-boxes have been installed and properly torqued as soon as possible to avoid the risk of electric shock or equipment failure.**

Connection of the wire-box to the main enclosure

As stated in the 100/125kW User Manual, the wire-box must be connected to the main enclosure using the M8 Flanged Nut (4pcs) and **torqued to 110.6 in-lbs (12.5 Nm)**. The wire-box must also be secured to the bracket with the M6-18 combination screws and **torqued to 53 in-lbs (6 Nm)** as shown in Figure 3-16. This connection provides the ground bond for the Inverter (Main) Enclosure. Failure to properly install may result in shock or equipment failure.

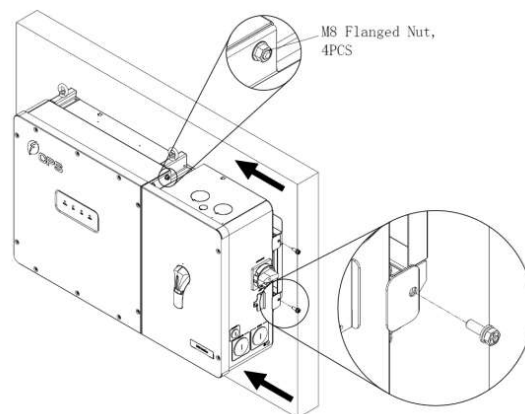


Figure 3-16 Installation of the Wire-box

This bulletin is intended to help users have a smooth and successful inverter life experience. As always, please call out **HOTLINE: 855-584-7168**, or contact your local sales or service manager for assistance.