

# Disconnect Cover for Three Phase String Inverters

## Why consider a disconnect cover?

Several customers asked CPS for a cover or lock to hide disconnect switches on inverters installed in public places. To reduce tampering risks, these covers hide inverter disconnect switches. Alternative barriers (e.g cage or fence) cost thousands of dollars while these accessories are roughly \$100 per inverter. When customers asked for our help we created this option that is now available for all customers.

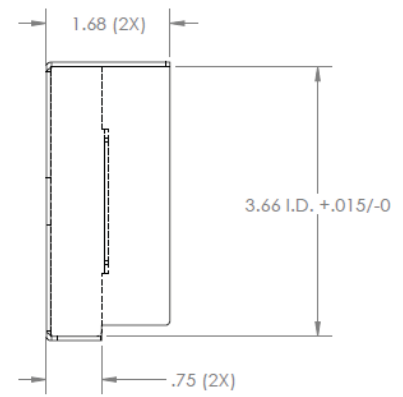
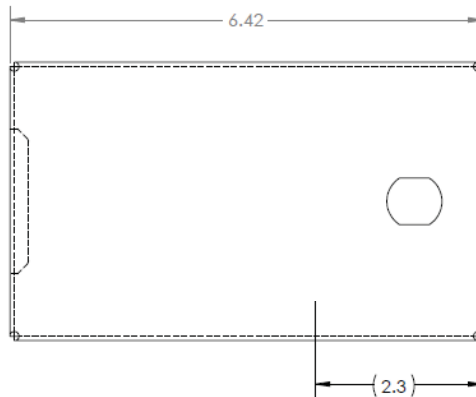
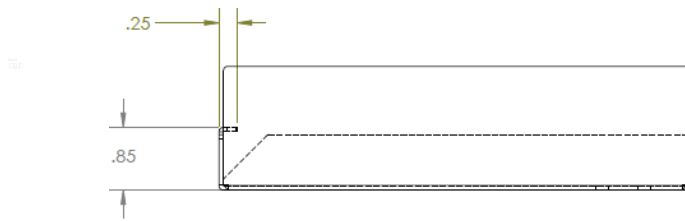
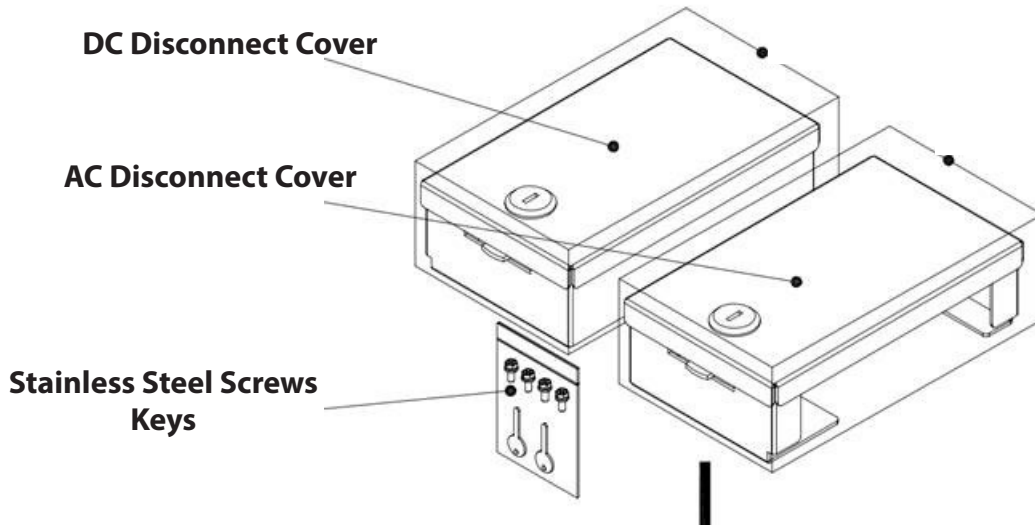
## Key Features

- Reduce random tampering by passers-by in a publicly accessible installation environment such as a bank or school
- Reduce truck roll costs to reset the inverter when turned off by accident
- One key works for all. Easy key management with a marked key box on site
- Installers need to verify code compliance with local AHJs and inspectors
- Easy to install with hand tools
- Compatible with 23/28/36/50/60kW inverters
- Once cover first installed, can be removed by key (or pole pin) for easy fast access to the disconnect switch when necessary
- 6 week lead time
- 5 year warranty for covers
- Each Disconnect Cover Kit includes 2 Covers (1 for the DC Switch and 1 for the AC Switch)



# Disconnect Cover for Three Phase String Inverters

## Mechanical Drawings



**Disconnect Cover Dimensions**