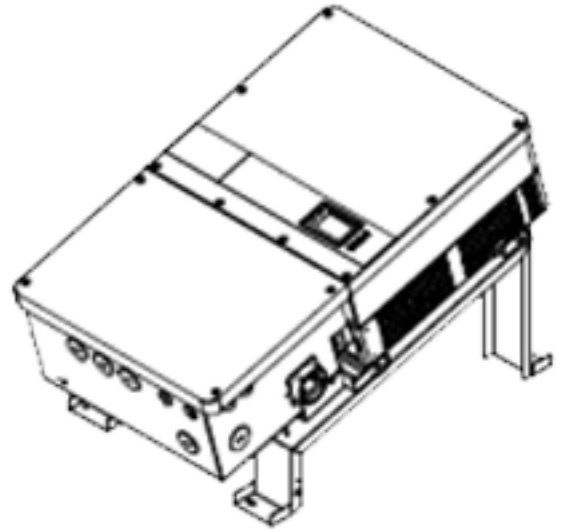


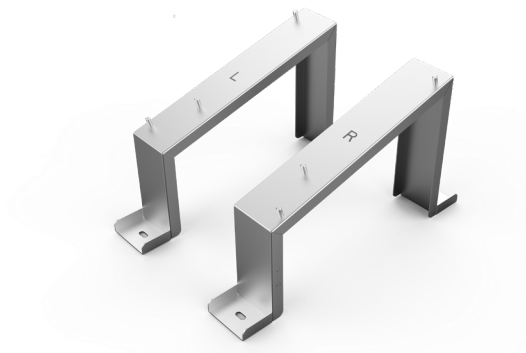
15 Degree Tilt Racking kits for 25KTL and 50/60KTL

To provide racking solutions for mounting CPS inverters on rooftops, CPS has developed custom tilt racking kits for our 25KTL-480V, 25KTL-208V, 36KTL, and 50/60KTL inverters. The racks will enable the inverters to be mounted “almost flat” with a 15 degree tilt angle from the horizontal line.

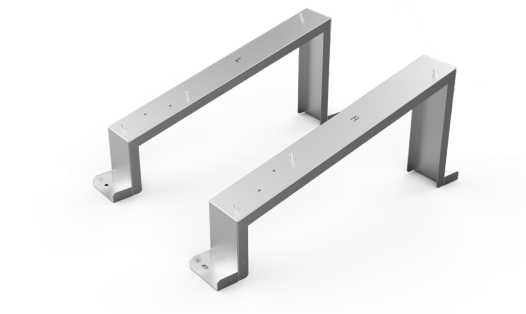
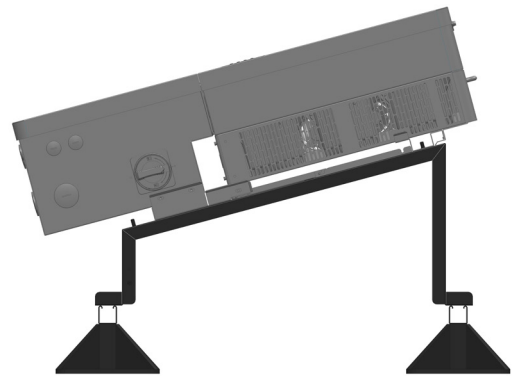


Two parts available:

- SR-25 kit for 1000V applications in the CPS 25kW-480V inverters. This kit includes the shade cover.
- SR-60 for 1000V applications in the 25kW-208V, 36kW, and 50/60kW inverters. This kit does not include the shade cover.



25kW - 480V Rack

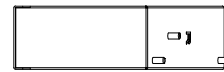
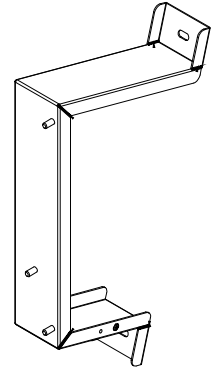
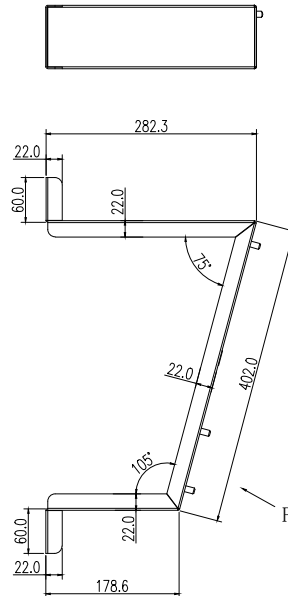
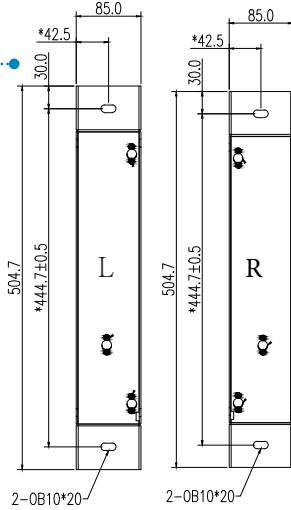


36/50/60kW and 25kW-208V

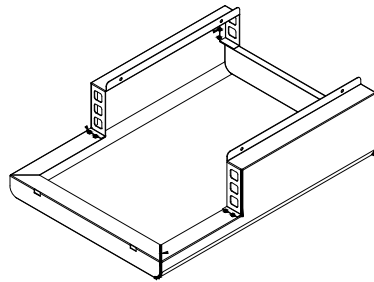
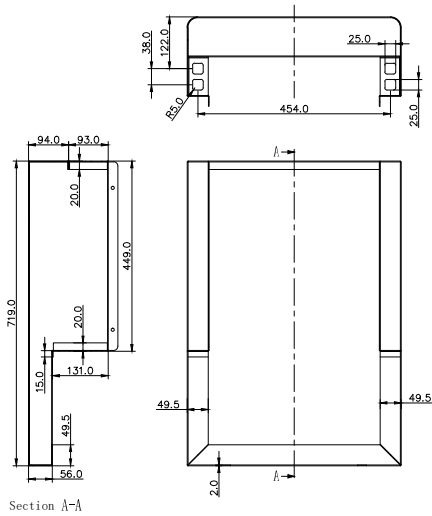
15 Degree Tilt Racking kits for 25KTL and 50/60KTL

Mechanical Drawings

**SR-25
(For 25kW-480V
Inverter)**



Shade Cover for SR-25 Kit



**SR-60
(For 36/50/60kW and 25kW-208V)**

