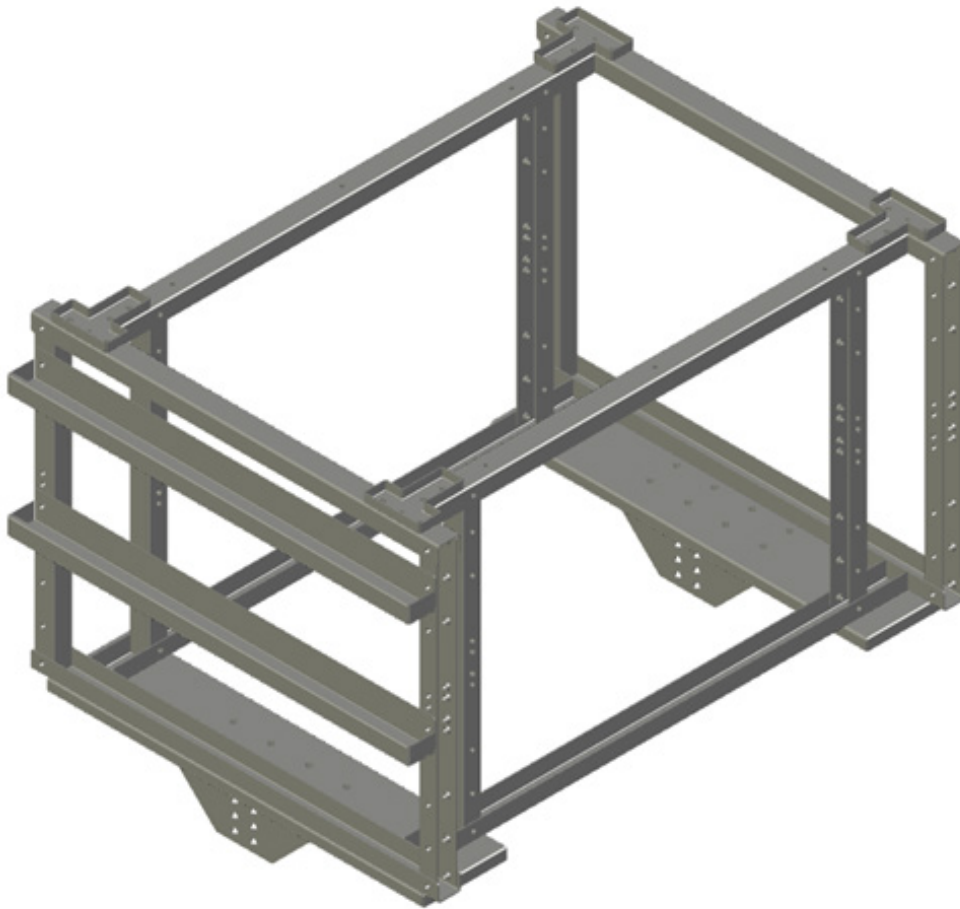


Cluster Mounting Bracket

Designed for CPS 250/275kW Inverters & 800Vac AC Combiners



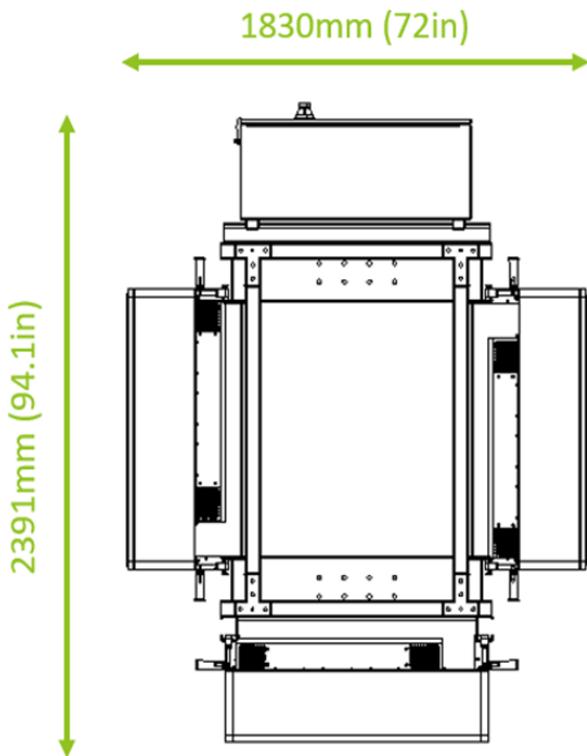
CPS Cluster Mounting Bracket

The CPS Cluster Mounting Bracket is designed to provide a simple, low-cost mounting solution for CPS 250/275kW inverters and CPS 800V AC Combiners. (3) CPS 250/275kW and (1) 800V AC Combiner can be mounted onto piles to easily install the equipment for ground mount PV applications. This solution enables savings on labor and material costs for system designs and installation.

Key Features

- Easily mount (3) 250/275kW inverters and (1) 800V AC Combiner
- Simplifies inverter and combiner installation
- Cost-efficient mounting solution
- Includes mounting bracket for CPS 800V AC Combiner
- Selectable Max AC Active Power of 250kW or 275kW

Model Name	CPS Cluster Mounting Bracket
Mechanical	
Material	Cold Rolled SPCC Steel
Dimensions (HxWxD)	42.6x32.4x58.1in (1082x822x1475mm)
Dimensions of total Cluster Rack incl. (3) 250/275kW inverters + (1) 800V AC Combiner	94.1x72in (2391x1830mm)
Weight of total Cluster Rack incl. (3) 250/275kW inverters + (1) 800V AC Combiner	264lbs/ 120Kg
Compatible Inverters	CPS SCH275KTL-DO/US-800
Compatible Combiner	CPS DPA03-800V/US
Installation Method	Mounted to piles (piles not included)
Warranty	
Standard	2 years



Top view of Cluster Mounting Bracket



(3) CPS 250/275kW Inverters + (1) CPS 800V AC Combiner
Installed with Cluster Mounting Bracket