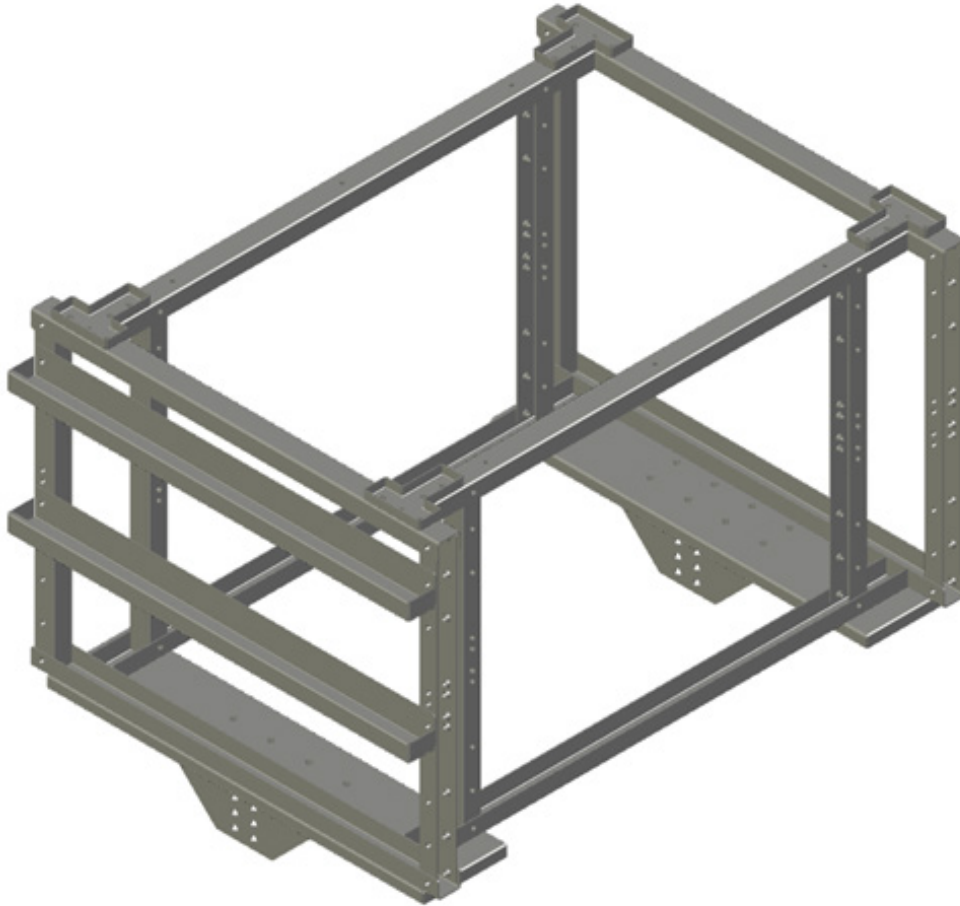


# Square Cluster Mounting Bracket

Designed for CPS 250/275kW Inverters & 800Vac AC Combiners



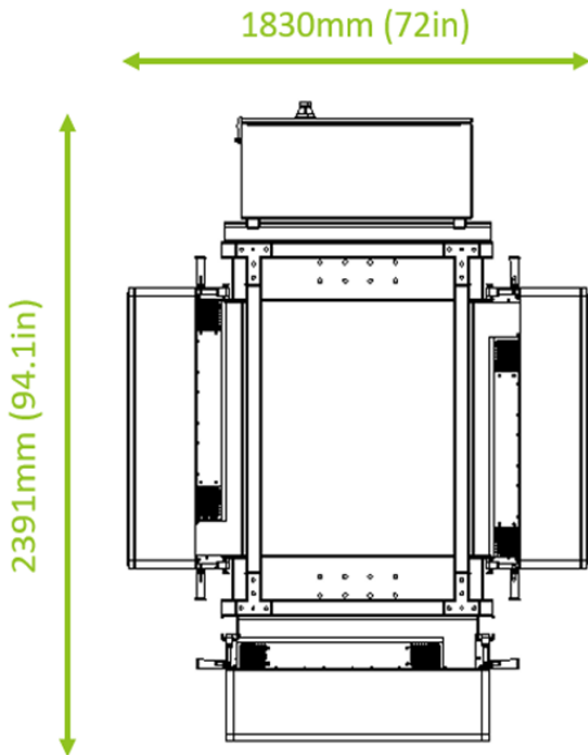
**CPS Square Cluster Mounting Bracket**

The CPS Square Cluster Mounting Bracket is designed to provide a simple, low-cost mounting solution for CPS 250/275kW inverters and CPS 800V AC Combiners. (3) CPS 250/275kW and (1) 800V AC Combiner can be mounted onto piles to easily install the equipment for ground mount PV applications. This solution enables savings on labor and material costs for system designs and installation.

## Key Features

- Easily mount (3) 250/275kW inverters and (1) 800V AC Combiner
- Simplifies Inverter and Combiner installation
- Cost-efficient mounting solution
- Includes mounting bracket for CPS 800V AC Combiner

Model Name	CPS Square Cluster Mounting Bracket
<b>Mechanical</b>	
Material	Cold-rolled SPCC steel
Dimensions (H x W x D)	42.6 x 32.4 x 58.1in (1,082 x 822 x 1,475mm)
Dimensions of total Cluster Mounting Bracket incl. (3) 250/275kW Inverters + (1) 800V AC Combiner	55.1 x 94.1 x 72in (1,400 x 2,391 x 1,830mm)
Total weight of Cluster Rack	264lbs / 120kg
Compatible inverters	CPS SCH275KTL-DO/US-800
Compatible combiner	CPS DPA03-800V/US
Installation method	Mounted to piles (piles not included)
<b>Warranty</b>	
Standard	2 years



Top view of Cluster Mounting Bracket



(3) CPS 250/275kW Inverters + (1) CPS 800V AC Combiner installed with Cluster Mounting Bracket