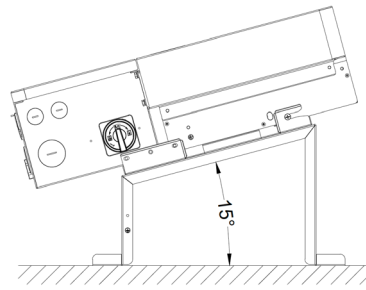
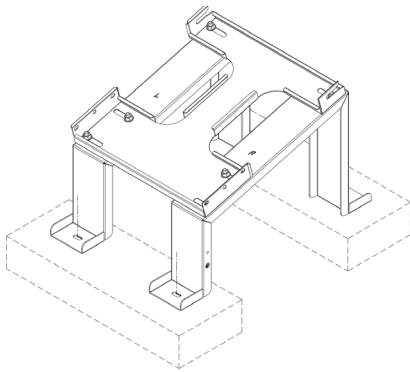


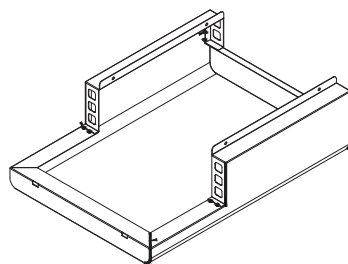
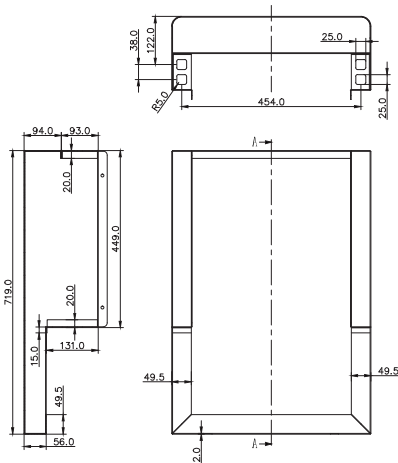
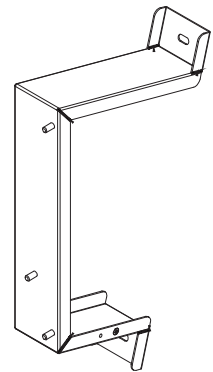
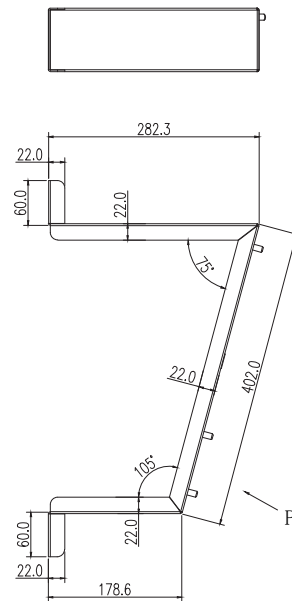
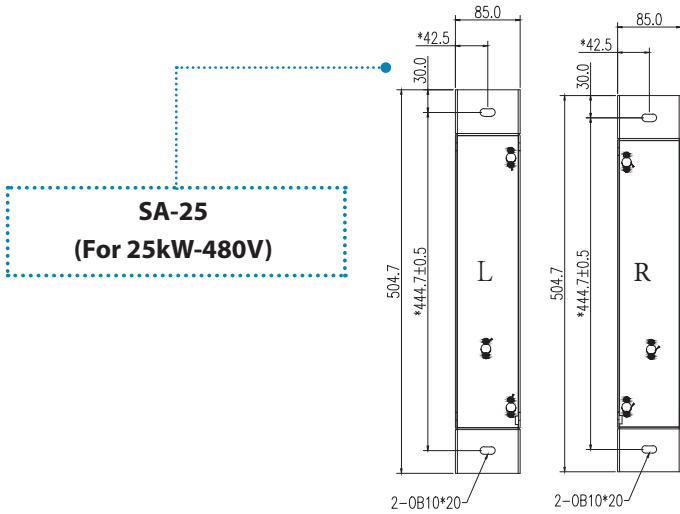
# 15-Degree Tilt Racking Kits for 25KTL-480V

To provide racking solutions for mounting CPS inverters on rooftops, CPS has developed custom tilt racking kits for for 1000V applications using our 25kW-480V inverters. The racks enable the inverters to be mounted “almost flat” with a 15-degree tilt angle from the horizontal plane.

The SA-25 racking kit comes standard with a shade cover, which is required for CPS inverters that are installed at an angle and with exposure to direct sunlight. The inverter mounting bracket ships with each CPS inverter and is not included in the racking kit.



## Mechanical Drawings



**Shade Cover**