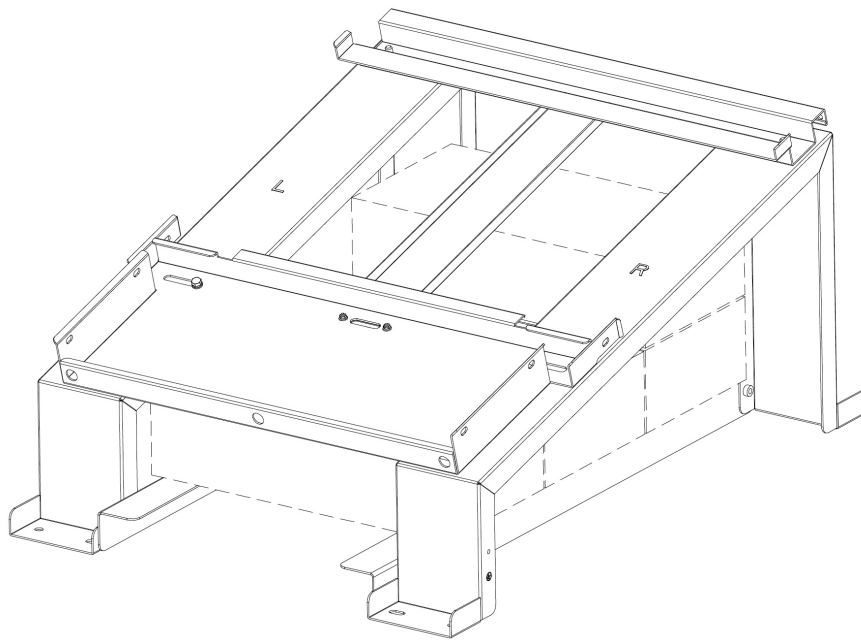


15-Degree Tilt Racking Kits for 25KTL-208V and 50/60KTL

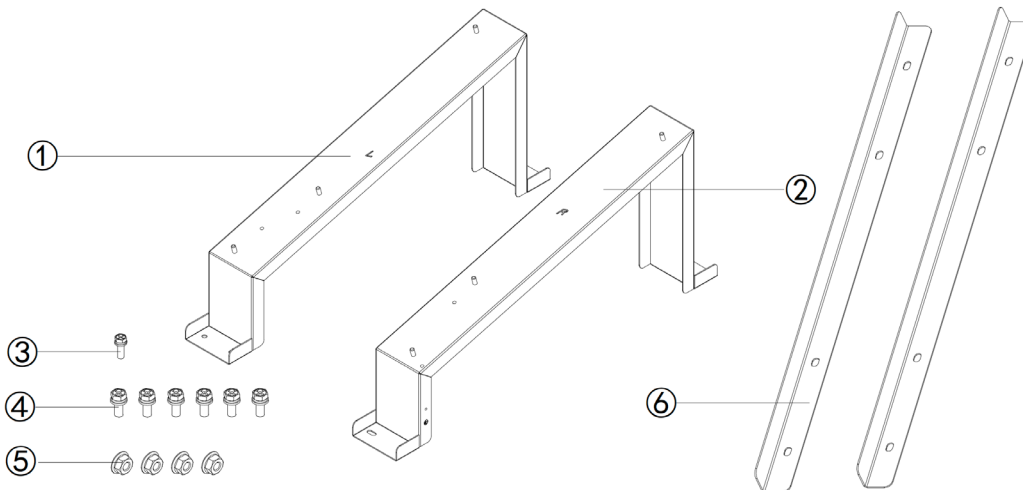
To provide racking solutions for mounting CPS inverters on rooftops, CPS has developed custom tilt racking kits for 1000V applications using our 25kW-208V, 36kW, and 50/60kW inverters. The racks enable the inverters to be mounted “almost flat” with a 15-degree tilt angle from the horizontal plane.

The SR-60 racking kit comes standard with ballast support frames. The inverter mounting bracket ships with each CPS inverter and is not included in the racking kit. Ballast blocks are not included.

Shade covers are also sold separately, and are required for CPS inverters that are installed at an angle and with exposure to direct sunlight. Contact a CPS representative to learn more.



Parts List



No.	Item	Qty.	Notes
1	Left Rack	1	
2	Right Rack	1	
3	Screws (M6x L18)	1	for ground
4	Screws (M8xL16)	6	for rack and support frame
5	Flange Nuts (M8)	4	for rack
6	Support Frame	2	